

EnergyStation®

630 WATT CERAMIC METAL HALIDE GROWING SYSTEM 347V ES-GS630/CMH/347



Performance Requirements

Rated mains voltage:	347V
Voltage range (+/-10%):	312-382V
Mains frequency:	50/60Hz
Operation frequency	140-220Hz

Performance

Lamp	Number	2
	Watts	315W
Input Volts		347V
Input Current		1.99A
Input Power		686W
Min Power Factor		0.95
THD		<15%
Crest Factor		<1.7

Physical

Case Length	190.3mm	7.49"
Case Width	316mm	12.44"
Height	600.7mm	23.65"
Weight	6.2kg	13.66lbs

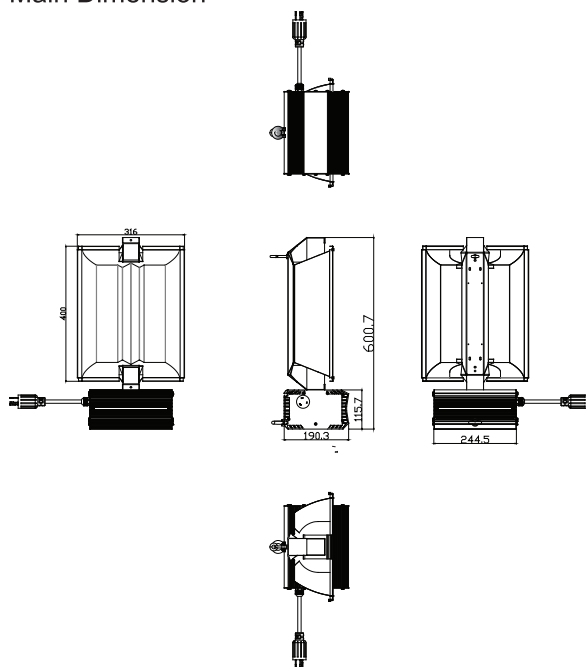
Protections

1. End of lamp life (EOL) protection.
2. Short circuit protection.
3. Open circuit protection.
4. Ignition failure protection.
5. Thermal protection.

Installation & Application Notes

1. Max. allowable case temperature: 75°C/167°F.
2. Ambient temperature: -20 ~ +40°C/-4 ~ +104°F.
3. Ignition voltage is 5kV.
4. Remote Mounting: 5m/16ft.
5. Power must be cycled off-then on after replacing the lamp.

Main Dimension



Tcase max=75°C/167°F

